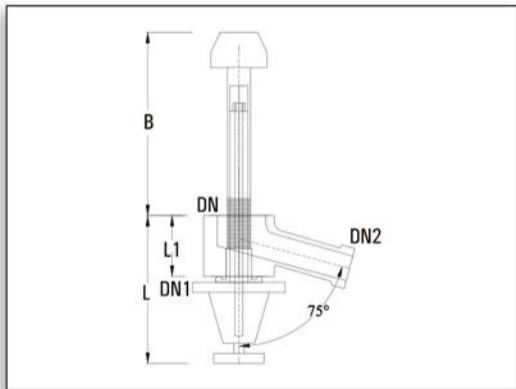


# SPACER BOTTOM OUTLET VALVES



| Cat.Ref. | DN | DN1 | DN2 | L1 | L   | B   |
|----------|----|-----|-----|----|-----|-----|
| SBAL1    | 25 | 25  | 15  | 40 | 110 | 175 |
| SBAL1.5  | 40 | 40  | 25  | 60 | 160 | 175 |
| SBAL2    | 50 | 50  | 40  | 60 | 160 | 175 |